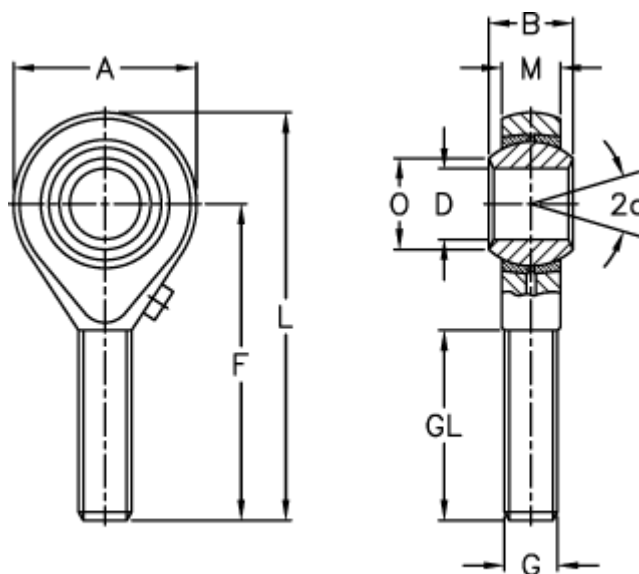


Article number: 54300922

Description: LDK Rod end POS 22

Measures



A	= 50	L	= 109
a (degrees)	= 15	M	= 20.00
B	= 28	O	= 25.80
D	= 22	Static load C0 (kN)	= 60.0
Dynamic load C (kN)	= 29.0	Weight (g)	= 435
F	= 84		
g	= M22x1,5		
GL	= 51		